

KPP

Fingerprint Door Lock Manual

Smart Biometric Fingerprint Handle Lock



PREFACE

Please read this manual before installing. Any question, please contact our customer service.

WARNING:

This manufacturer advises that no lock can provide complete security by itself.

This lock may be defeated by forcible or technical means, or evaded by entry elsewhere on the property. No lock can substitute for caution, awareness of your environment, and common sense. In order to enhance security and reduce risk, you should consult a qualified locksmith or other security professional.

Warranty & After-sale Service:

We provide one year warranty and free life-time tech support. Any question please feel free to contact us.

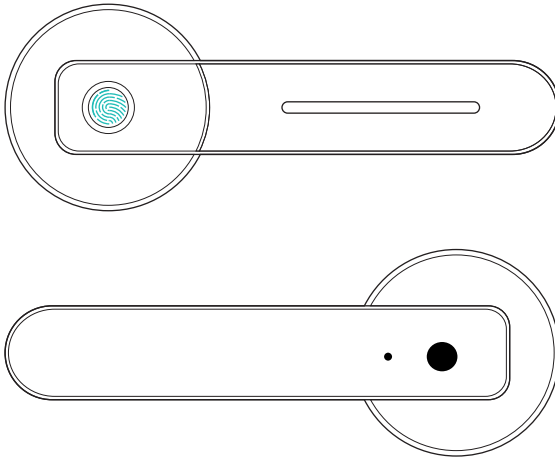
Customer Service Support:

E-mail: tirumio@hotmail.com

(Send email with Amazon order number, we reply email everyday.)

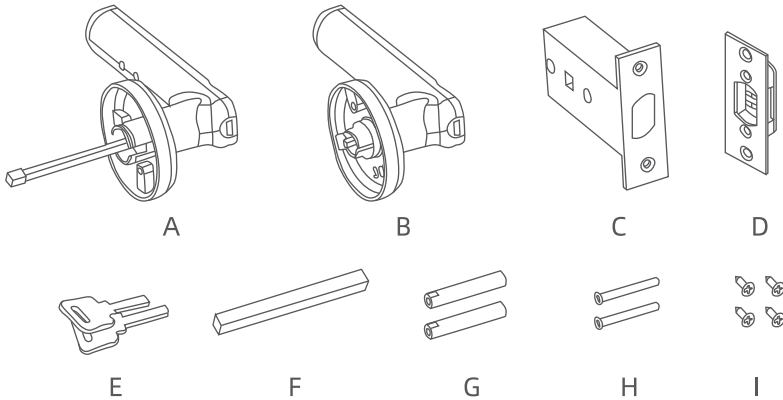
INTRODUCTION

Product Specifications



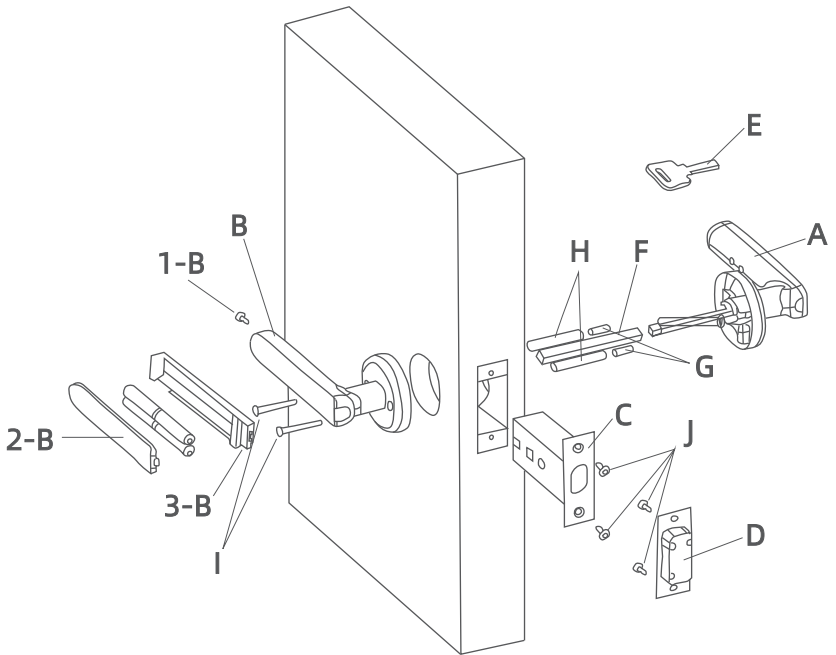
Item No.	KPP001
Material	Zinc Alloy
Weight	2.2 LB
Unlocking Way	Fingerprint, Mechanical key
Power Supply	4pcs AAA batteries
Static Current	$\leq 30\mu\text{A}$
Working Current	$< 250\text{mA}$
Working Temperature	$-10\sim 60^{\circ}\text{C}$

Package



Part	Description	Quantity
A	The Front Panel (with Fingerprints)	1
B	The Back Panel	1
C	Latch	1
D	Strike Plate,Box Striking Plate	1
E	Keys	2
F	Spindle	1
G	Screw Tubes	2
H	Longest Flat Screws	2
I	Wood Screws	4

INSTALLATION MANUAL



A-The Front Panel

1-B Mounting Screw for Cover

3-B Battery Case

D-Strike Plate & Box Striking Plate

F-Spindle

H-Screw Tube

J-Wood Screws

B-The Back Panel

2-B Back Handle Cover

C-Latch

E-Key

G-Flat Screw

I-Longest Screw

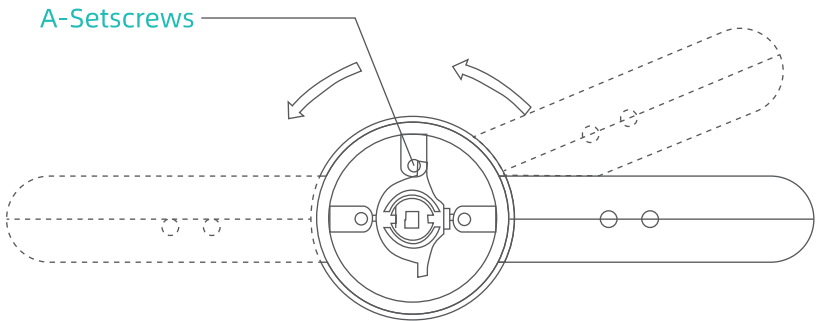
Note: Install and test lock with door open to avoid being locked out.

Adjusts the Direction of the Handle

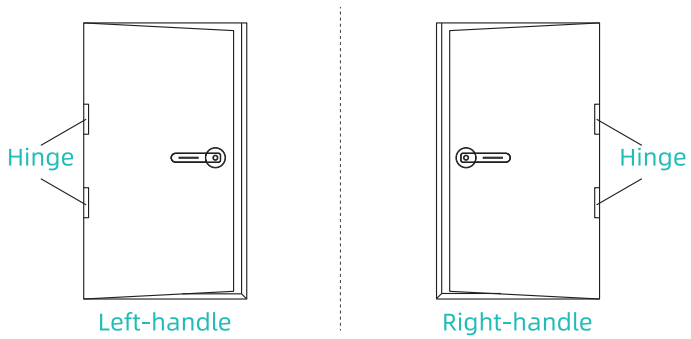
Adjust your door lock direction base on your door's opening direction

If needs adjustment, please follow below steps:

- 1) Unscrew the small screw(A) and use bit to unscrew 2 flat screws on 2 side.
- 2) Turn the handle 180 degrees.
- 3) Tighten the screw(A) and 2 flat screws.
- 4) You can now press down the front panel handle.
- 5) The same operation is required for the back panel.

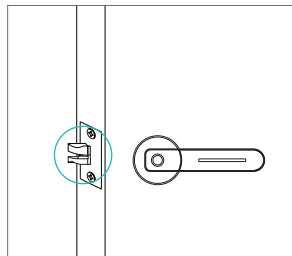


Identify Door Handing

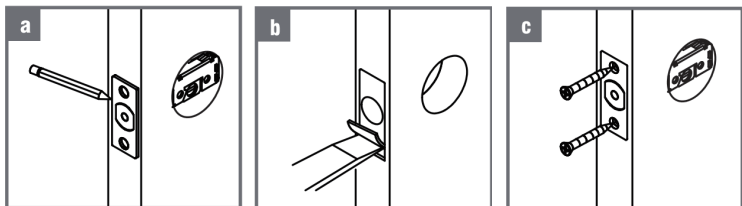


Installation Step

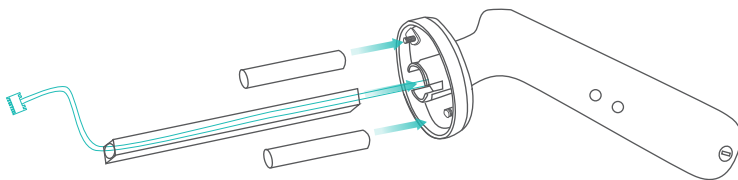
1) Insert the latch and ensure it is parallel to the door face (make sure the lock tongue with curves is facing the front panel).



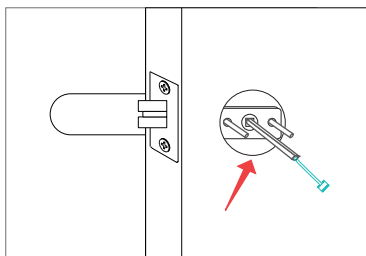
2) Use 2 wood screws to secure latch.



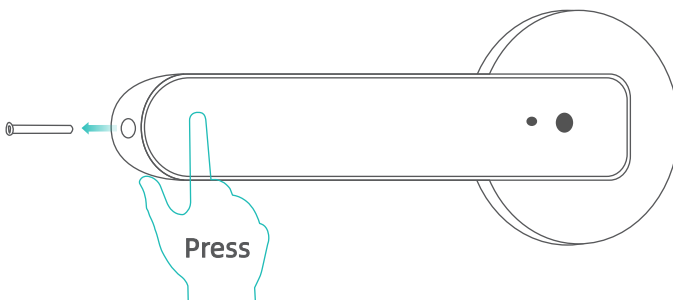
3) Tighten 2 connecting screws on the front panel and Insert the spindle and passing the connecting wire through spindle.



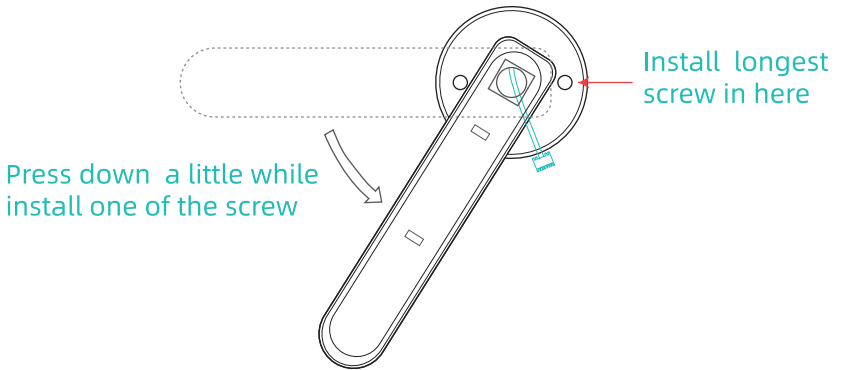
4) Align the front panel, make sure the connecting cube are inserted through the holes on the 2 sides of latch, and the spindle is inserted through the square hole in the middle.



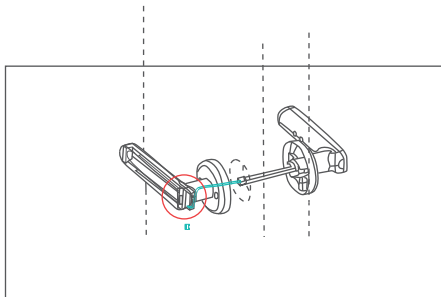
5) Press slightly on the battery cover and remove the screw on the battery panel. Open the battery cover.



Install back panel, make sure the spindle and IC line are inserted through the square hole. Fix front panel and back panel with 2 longest screw.



6) Connect IC wire to the white port in front of the battery case carefully. Insert 4pc(AAA)1.5V Alkaline batteries. e, slide the battery cover back onto the receiver module and tighten the screw , install finish.



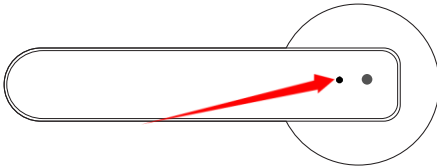
7) You could set up admin and user fingerprint by pressing the button on the back handle with a small screw that equipped. Please refer to page 9.

OPERATION INSTRUCTIONS

Warning:

If the new lock did not add any fingerprints, any fingerprint can open the door in the default setting, so please register your fingerprint before you use it.

First press the little button with a small screw on the back handle(Notice:the big button is normally open button)as follow:



⌂ Set Factory Settings or Remove All Fingerprints

- a) Long press the setting key, then the blue light flashes. After 9 seconds the red light flashes release the setting key.
- b) The green light indicates that the factory settings have been restored successfully, all fingerprints have been deleted at this point. any fingerprint can open the lock.
- c) The lock will be closed five seconds after unlocking.

👤 Add the Fingerprint

The first three set of fingerprint are administrator fingerprints, and other fingerprint are ordinary user fingerprints.

- a) Long press the settings key, when the blue light flashes release the setting key, fingerprints can be recorded at this point.
- b) Input fingerprint for 5 times, you can unlock with fingerprint, other fingerprints won't open the door. A green light means a successful setting and a red light means failure.

Add Second Fingerprint

- a) Long press the settings key, release it when the blue light flashes, verify administrator fingerprint.
- b) When the blue light is on, new fingerprints can be recorded. You can input 2 or more fingerprints in case of your fingerprint are damaged for injury or stains.

Channel Mode Setting

Turn on the mode of normally open

Press the normally open button on the handle cover for 1S, the blue/red light flashes. Release the button, the green light is on which indicates the successful setting.

Turn off the mode of normally open

a)The normally open mode can be turned off if the entered fingerprint is verified successfully.

b)Press the normally open button on the handle cover for 1S, the blue/ red light flashes. Release the button, the green light is on which indicates the successful setting.

Emergency Unlock

When your fingerprint is damaged or the battery is dead so that you can't unlock it. You can unlock with emergency key. Turn the key and press the handle to open the door. If the battery is dead, you can use the android charging cable for emergency charging. Please replace the battery after opening the door.

KPP

Because of technology