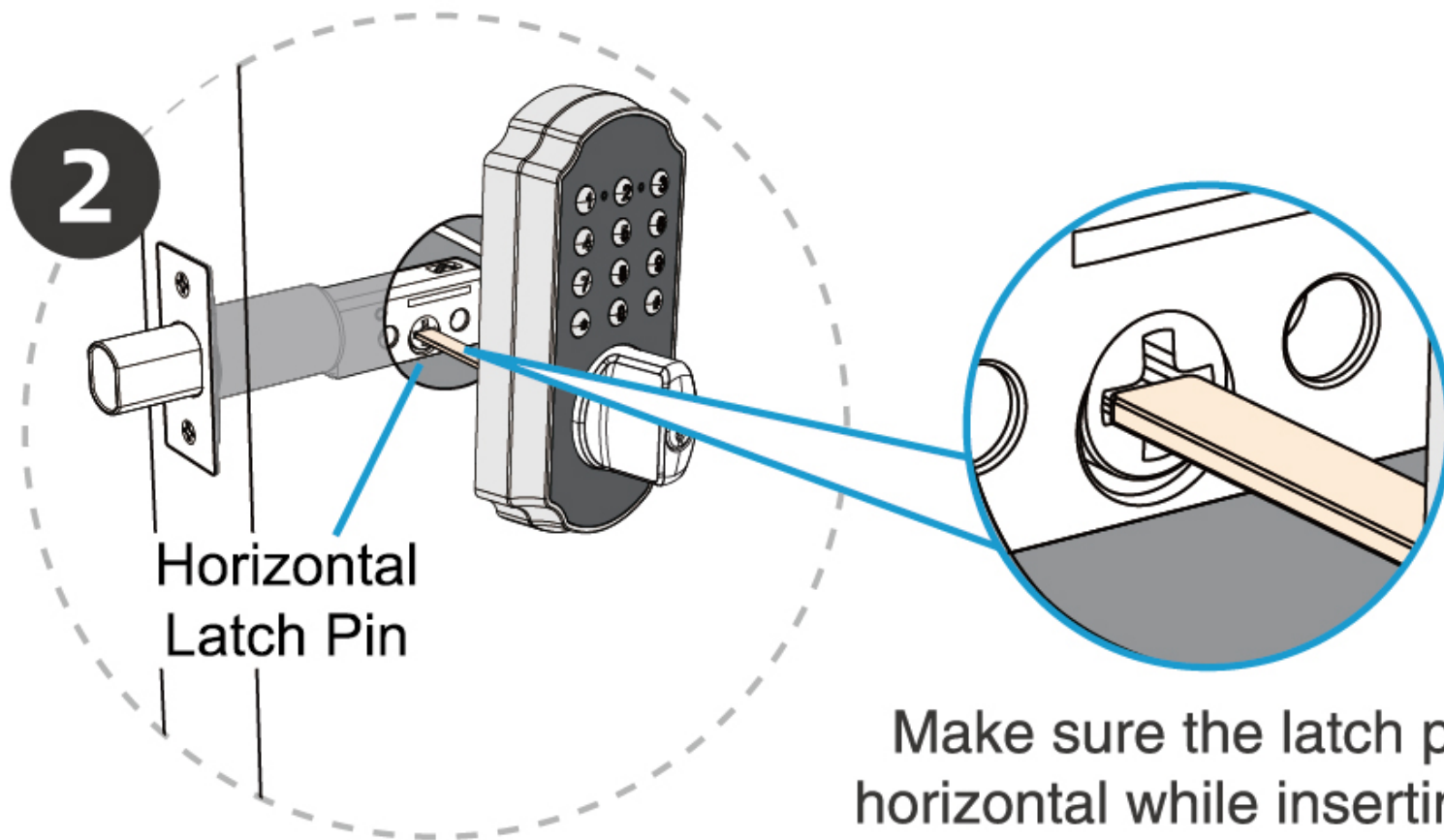
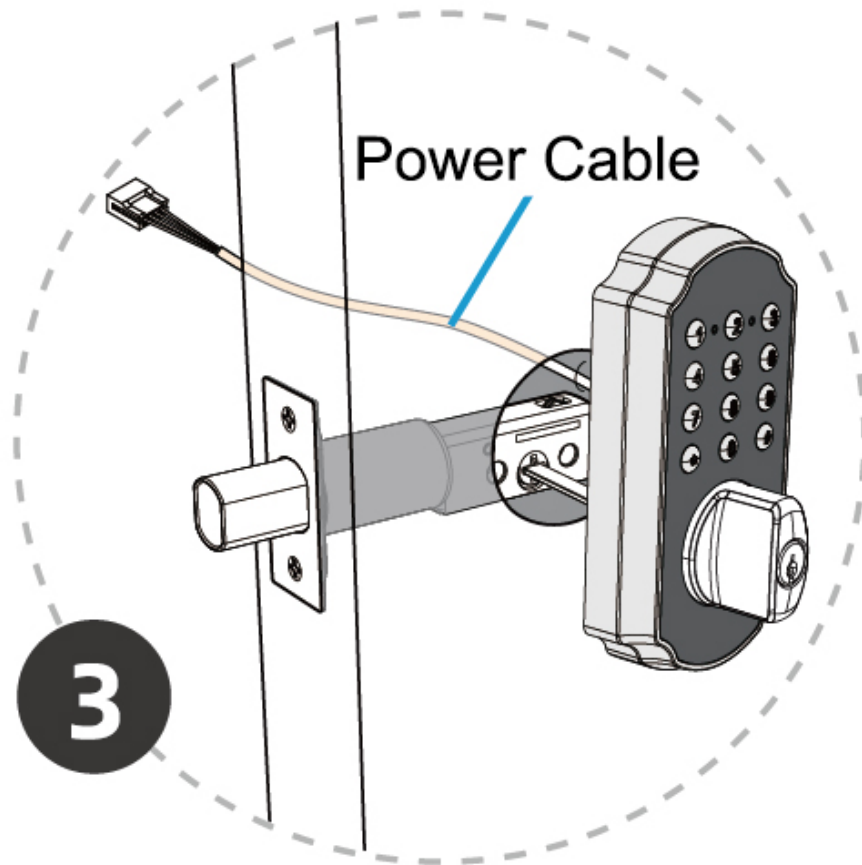


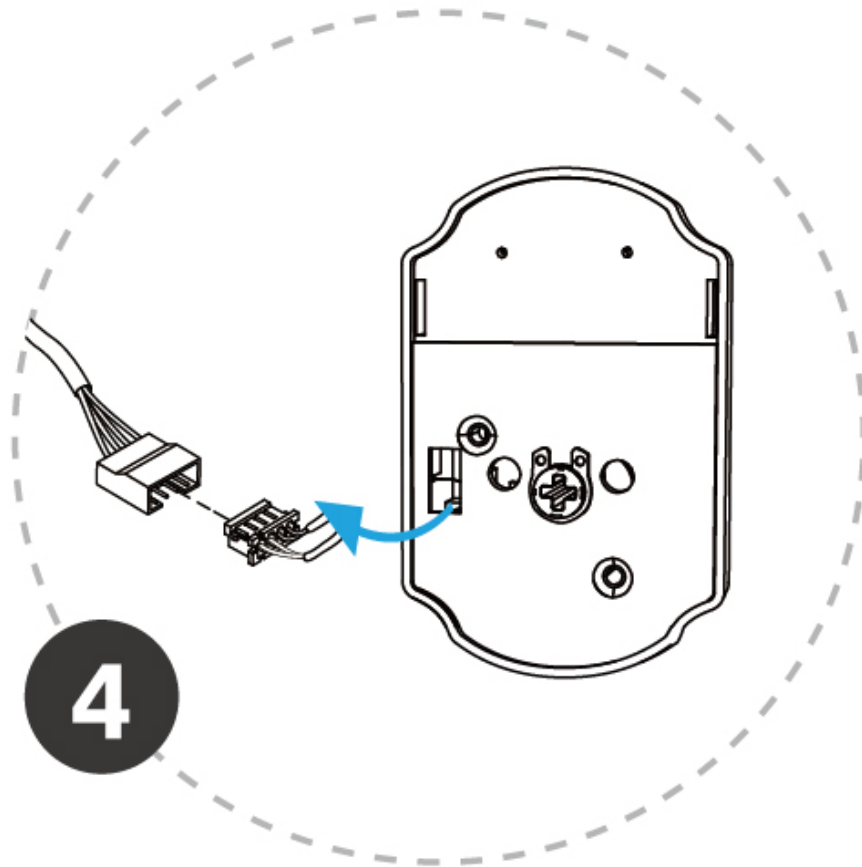
Insert the latch and make sure the latch plate sits flush against the edge of the door. Also make sure the latch is fully extended.



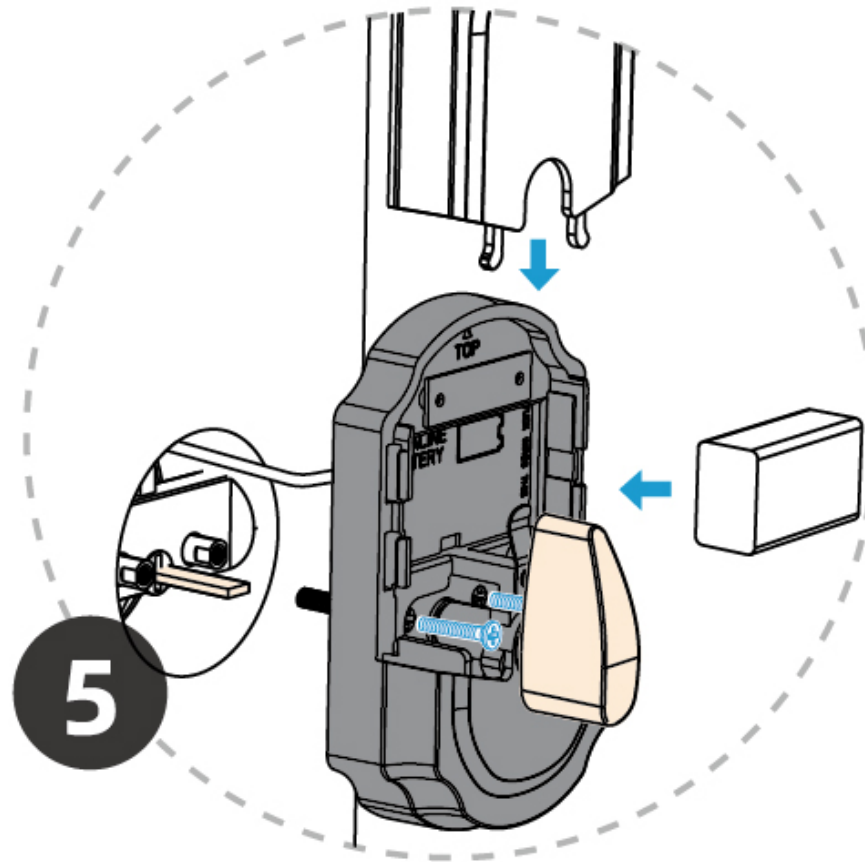
Make sure the latch pin is horizontal while inserting the square hole in latch.



Carefully feed the power cable above the latch and thread the latch pin through the hole in latch.



Gently feed the power cable of the inside section through the hole and snap the cable connectors together.



1. Turn the inside knob to vertical position.
2. Slide the compartment cover up.
3. Insert latch pin.
4. Use the two mounting screws to inside section on the door.
5. Install the included 9V battery.
6. Slide the cover down over the compartment.